

WP-HD Series

DC Power Distribution

600 amps Heavy Duty Manual Battery Switches



Datasheet



No compromise in safety and reliability, Around the battery

When leaving the marina and heading for the ocean, you are getting fully dependent on your boat electrical system. With WhisperPower, you are secured electricity is guided into the appropriate conduits which prevents dangerous situations. The WhisperPower DC distribution program offers high quality components ensuring a safe and enjoyable trip.

- Robust and compact design
- Tin-plated copper studs for maximum conductivity and corrosion resistance
- Multiple cable terminals, 22mm stud length
- One piece terminal design prevent loosens over time
- Multiple cable input, allows surface, rear, or front panel mounting options.
- Circuit identification label included
- Ce marked, Iso 8846
- UI listed- UL1701 electrical power switches
- Meets American Boat and Yacht Council requirements
- Meets UI1500 and SAE J1171 external ignition protection requirements
- IP66- protected against powerful water jets

When setting up the battery banks of your 12 or 24V system, the required capacity and choice of battery type are not the only important elements. Vital components around the battery are at least as important. WhisperPower provides you with all the necessary high quality components to perfectly round off your installation. WhisperPower offers a complete program of manual and remote operated battery switches.

Manual operated WP-Compact series or WP-Heavy Duty series, manual ON/OFF switches to connect/disconnect DC consumers and/or battery bank.

Remote operated – WP-ML Bi-stable low current draw remote battery switch/magnetic latch, for remote ON and off switching of the DC consumers and/or battery bank.



green energy solutions

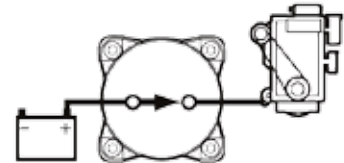


green energy solutions



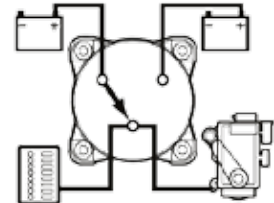
Series Article no.	WP-HD series 50214711	WP-HD series 50214712
Model type	Manual battery switch	Manual battery switch
Circuit type	on-off	selector 4 pos
Input		
Battery input	1	2
Switch Positions	2	4
Battery combine function	-	yes
I 10 Cranking rating 10 sec	2750A	2750A
I 60 Cranking rating 1 min	1325A	1150A
I 300 Cintermittent rating 5 min	900A	700A
I C continue rating	600A	500A
Vmno Voltage maxium Operation	32V DC	32V DC
General		
Ambient operation temperature	-20 C ... +40C	-20 C ... +40C
Storage temperature	-25 C ... +85C	-25 C ... +85C
Operating humidity	95%, non condens	95%, non condens
Mechanical		
Connections terminal stud	M12 1/2")	M12 1/2")
Connections stud lenght	22mm	22mm
Maximum terminal Stud Torque	24.86 NM (220 in-lb)	24.86 NM (220 in-lb)
Terminal material	tin-plated copper	tin-plated copper
Enclouser width	98 mm	98 mm
Enclouser height	79 mm	79 mm
Weight	0.59 kg	0.59 kg
Drilling mounting centers	76 mm	77 mm
Rear panel mount diameter	92mm dia	92mm dia
Mounting screws	m6 srew	m6 srew
Ingress Protection Class	IP66	IP67
Enclouser Colour	RAL7024 Graphite Grey	RAL7024 Graphite Grey
Calbe clearance	27.9 mm	27.9 mm
Ignition Protection	UI 1500 SAE J1170	UI 1500 SAE J1171
Markings	CE, Iso 8845	CE, Iso 8846

Circuit type on-off

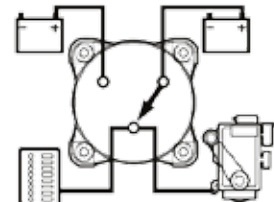


Switch Set to 'ON'

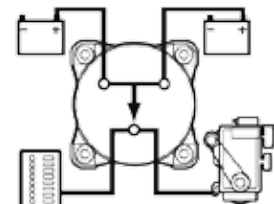
Circuit type selector 4 pos



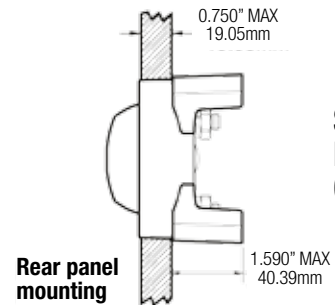
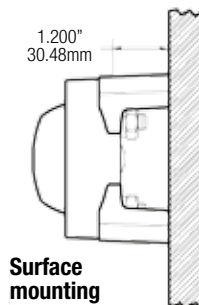
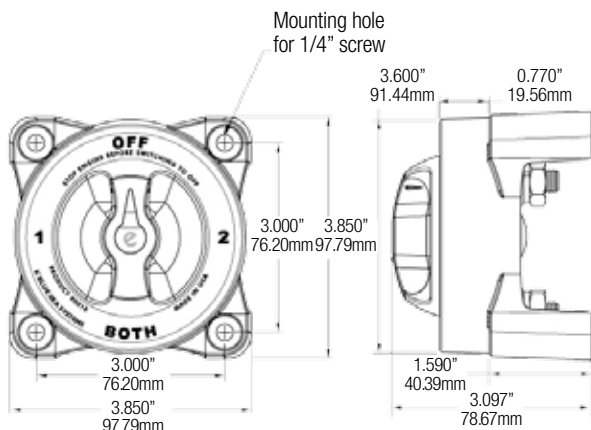
Switch Set to '1'



Switch Set to '2'



Switch Set to '1+2'



Switch Mounting Options